

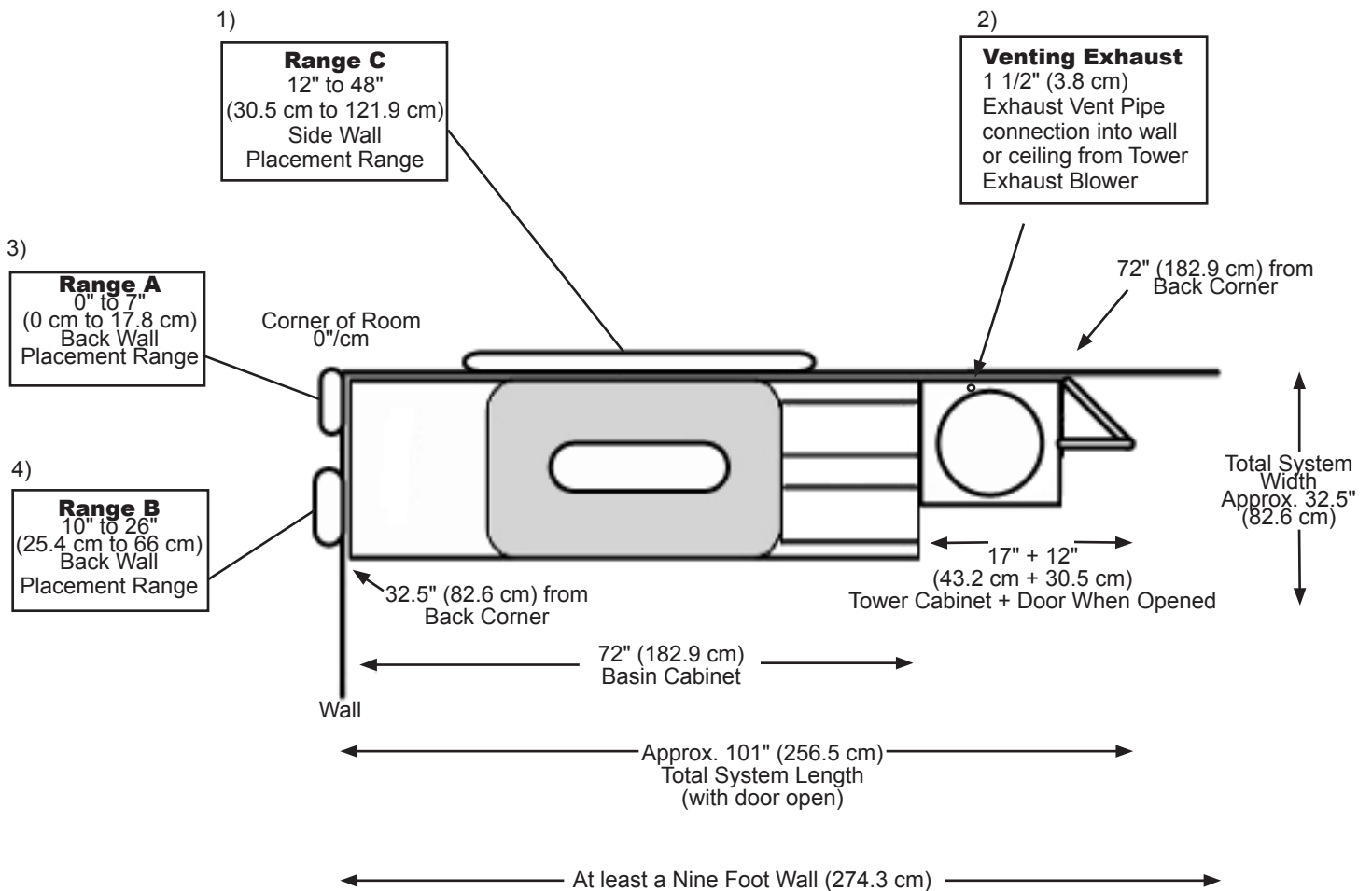
Steps to Installation

Step 1. Electrical Outlet and Rough Plumbing Placement.

An aerial view of the Angel of Water® CM-1 Surround appears below. Both electrical outlet and rough plumbing (Hot, Cold, Drain Connections) need to be placed in one of the Ranges A, B, or C pictured. You may choose area A, B, or C depending upon your room constraints. The Exhaust Vent Opening (1 1/2" (3.8 cm) pipe, See Step 11.) needs to be placed in the ceiling above or in the wall beside the tower cabinet depending upon your room constraints.

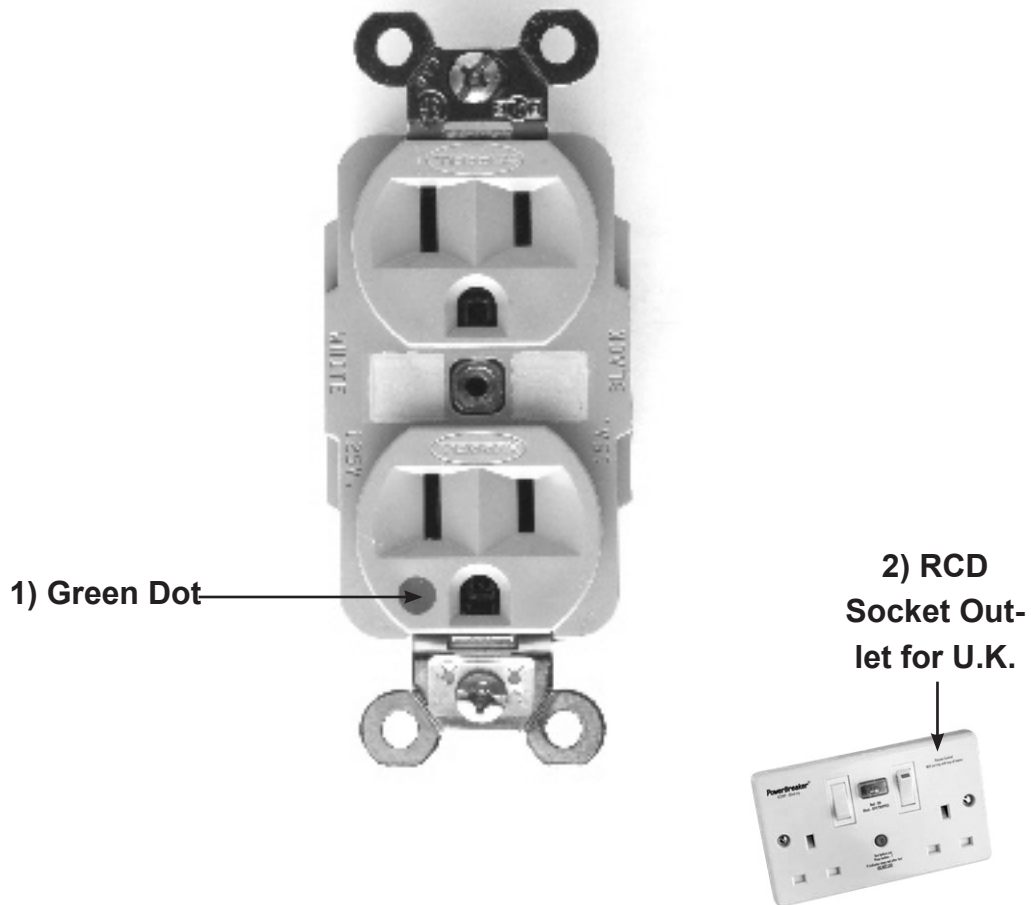
Surround Aerial View

Placement Ranges A, B, and C are for the Electrical Outlet and Rough Plumbing Connections (Hot, Cold, Drain)



Step 2. Outlet Installation.

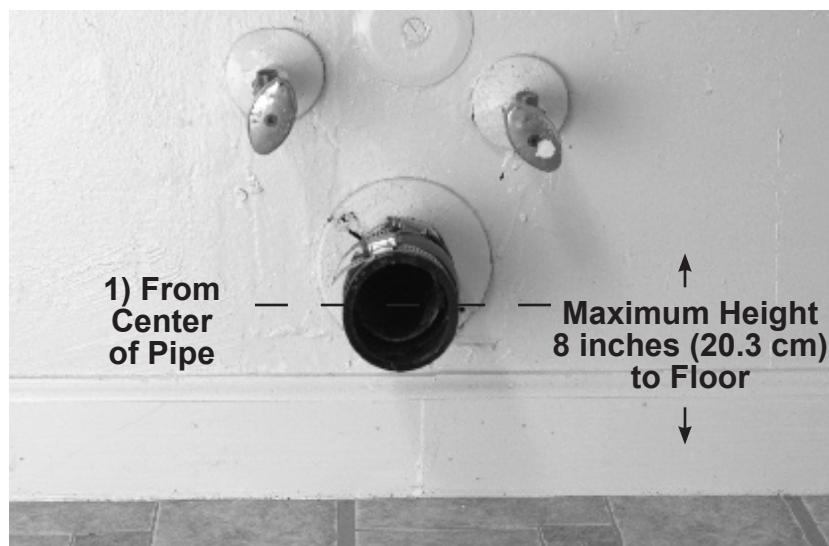
Install an outlet socket that conforms to national and/or local electrical standards (110-120V for U.S. and Canada/220-240V for Europe and Asia) in the wall closest to the Angel of Water® CM-1 Surround. We recommend a hospital grade (green dot) duplex outlet or a GFCI outlet. For UK, we recommend an RCD (residual current device) protected socket outlet. CONSULT A LICENSED (QUALIFIED) ELECTRICIAN TO DETERMINE THE PARTICULAR REQUIREMENTS OF YOUR HEALTHCARE FACILITY AND YOUR LOCALE. Your room is now ready for preparation of the rough plumbing.



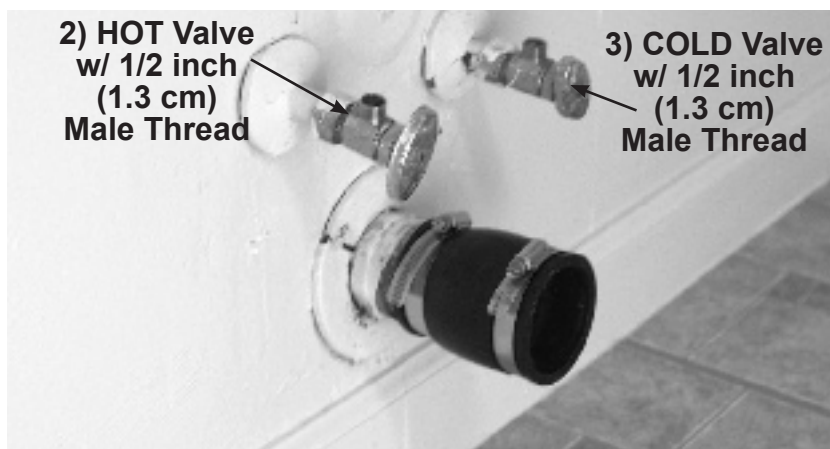
Step 3. Rough Plumbing Installation.

CONSULT A LICENSED (QUALIFIED) PLUMBER TO DETERMINE THE PARTICULAR REQUIREMENTS OF YOUR HEALTHCARE FACILITY AND YOUR LOCALE. Plumbing must comply with all building and water supply regulations for your area.

A) Install the drain pipe so that it is **8 inches (20.3 cm) from the center of the pipe off the floor or less, BUT NOT MORE THAN 8 INCHES**. See figure below. A wall-mounted drain pipe is shown. (A floor-mounted drain is also acceptable BUT only within Range C and within 3 inches or less from the side wall.)



B) The Angel of Water® CM-1 Surround requires both a hot and cold line connection. The hot and cold water supply lines coming from the wall should be within 18" (45 cm) of floor and should be in the side or back corner of the clinic room where System is to be placed. The connection valves must have 1/2-inch (1.3 cm) male threads. The drain must be a 2-inch (5.1 cm) PVC pipe or larger. These rough plumbing supplies are NOT INCLUDED with your System.



Step 3. Rough Plumbing Installation, continued.

C) Obtain an estimated length of 2-inch (5.1 cm) PVC pipe and a P-trap (NOT INCLUDED).

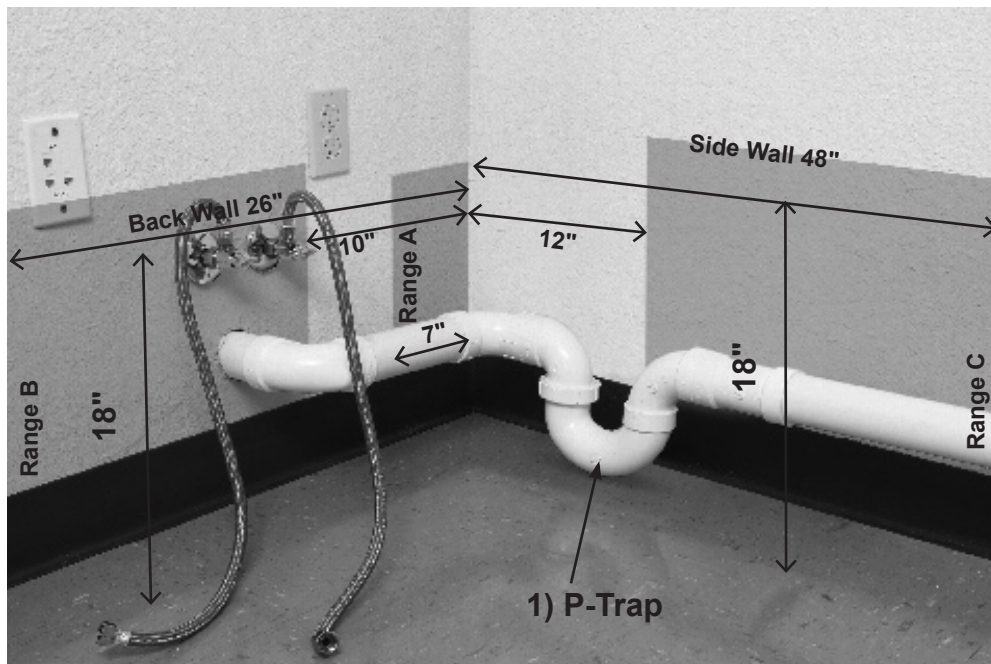
Lay out the 2-inch (5.1 cm) PVC pipe and P-trap on the floor and configure as appropriate to your needs. DO NOT GLUE INTO PLACE YET. See below.

1) Back Wall Placement of Electrical Outlet and Rough Plumbing (must be within 18" (45 cm) of the floor).

If back wall is used for outlet and rough plumbing (Hot, Cold, Drain), make placement either inside of 7 inches (0 - 17.8 cm) from the corner of the room (**RANGE A**) OR between 10 and 26 inches (25.4 - 66 cm) from the corner (**RANGE B**) to avoid interfering with the supporting leg and sides of the Surround basin cabinet.

2) Side Wall Placement of Electrical Outlet and Rough Plumbing (must be within 18" (45 cm) of the floor).

If side wall is used for outlet and rough plumbing (Hot, Cold, Drain), make placement between 12 and 48 inches (30.5 – 121.9 cm) from the corner of the room (**RANGE C**) to avoid interfering with the supporting leg and sides of the Surround basin cabinet.



With the exception of Step 11. (roughing in of the 1 1/2" (3.8 cm) Exhaust Vent Opening), your rough plumbing is complete and your room is now ready for placement of the System.

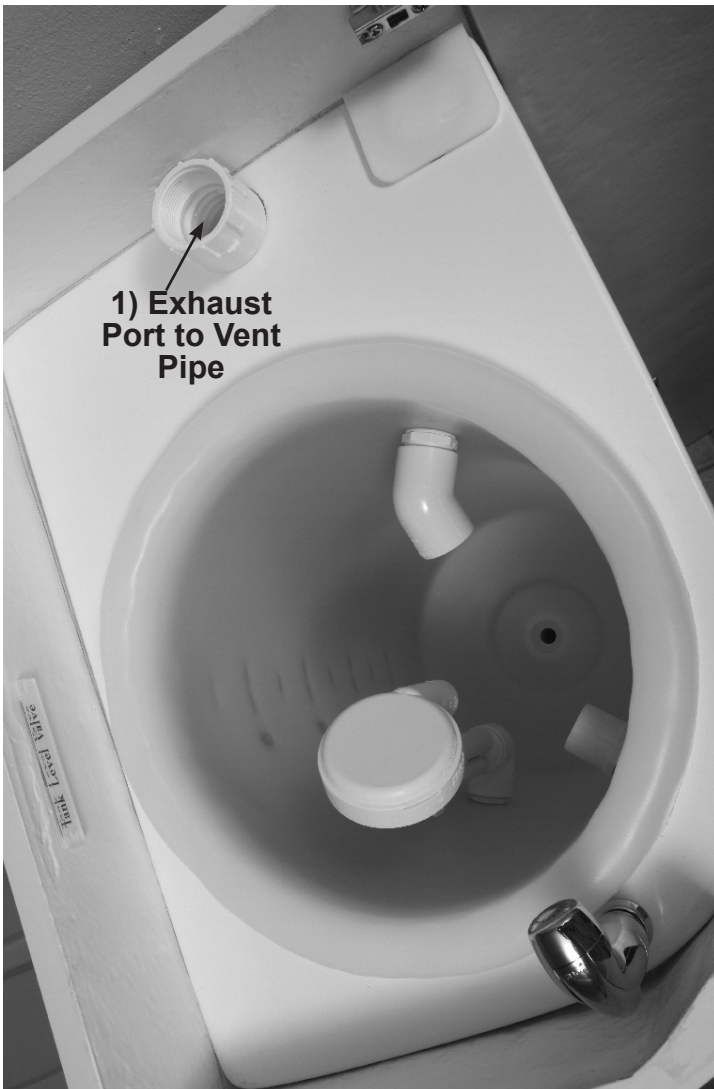
Step 4. Basin Cabinet Placement.

Place Angel of Water® Surround basin cabinet next to your rough plumbing for making the plumbing and electrical connections. See figure below.



Step 11. Connecting your Exhaust Fan.

When all other final connections are made, connect your exhaust fan port on the top of the tower cabinet. Connect 1 1/2 inch (3.8 cm) draftpipe (NOT INCLUDED) to exhaust port fittings (supplied by Lifestream) at the top of the tower and vent either through the side wall or through the ceiling and to area (outside). How the fan is vented is TO BE DETERMINED BY YOUR LICENSED PLUMBER/ BUILDING CODE REQUIREMENTS but should be a dedicated vent pipe to the outside of your building



1) Exhaust Port to Vent Pipe



2) Flexible Draft Pipe Shown But Not Included

Top view rotated counter-clockwise